

Models	1990-93 300ZX
Section	Service Campaign
Classification	P4120
Bulletin No.	NTB94-096
Date	October 20, 1994

VOLUNTARY SERVICE CAMPAIGN ON 1990-93 300ZX IGNITION POWER TRANSISTOR UNIT

APPLIED MODEL All 1990-1993 300ZX (Z32)

AFFECTED VIN RANGE:	JN1RZ24A*LX000001	JN1RZ24H*PX538576
	JN1RZ26A*LX000001	JN1RZ26H*PX538160
	JN1CZ24A*LX000001	JN1CZ24H*PX536696
	JN1RZ27H*PX000001	JN1RZ27H*PX003480

INTRODUCTION

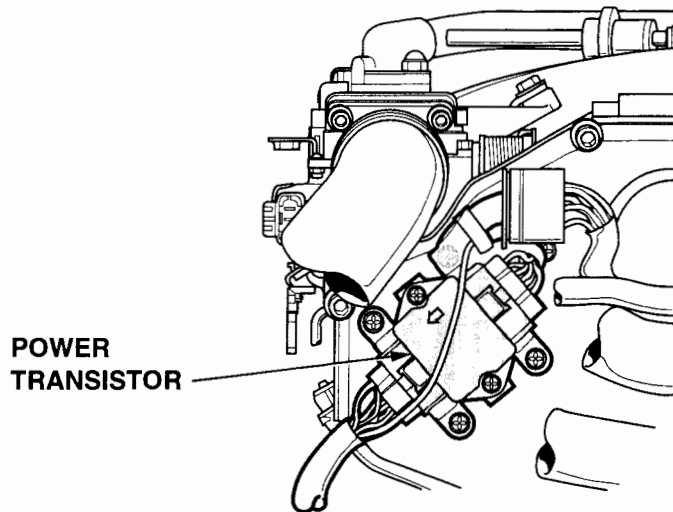
An electrical problem in the power transistor unit may cause poor driveability and/or rough idle. A counter measure power transistor unit has been developed to resolve this incident.

DEALER RESPONSIBILITY

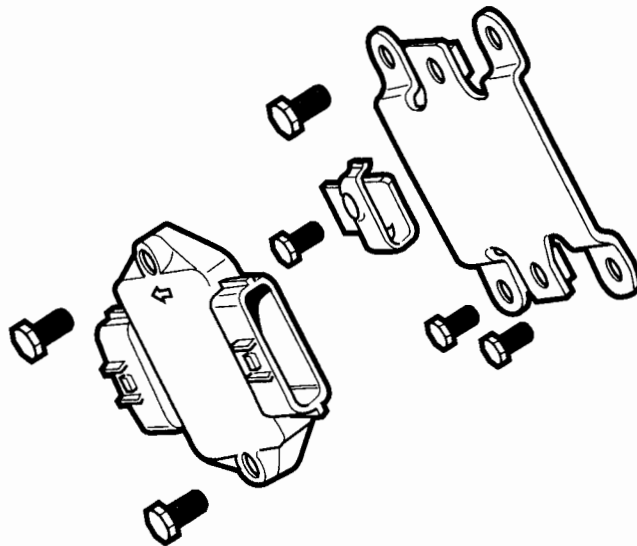
It is the dealer's responsibility to check each vehicle within the range of this campaign which for any reason enters the service department. This includes vehicles purchased from private parties or presented by transient (tourist) owners and vehicles in dealer inventory.

SERVICE PROCEDURE

The engine should be "OFF", the parking brake applied and the transmission placed in park (if applicable) before beginning service on the vehicle.

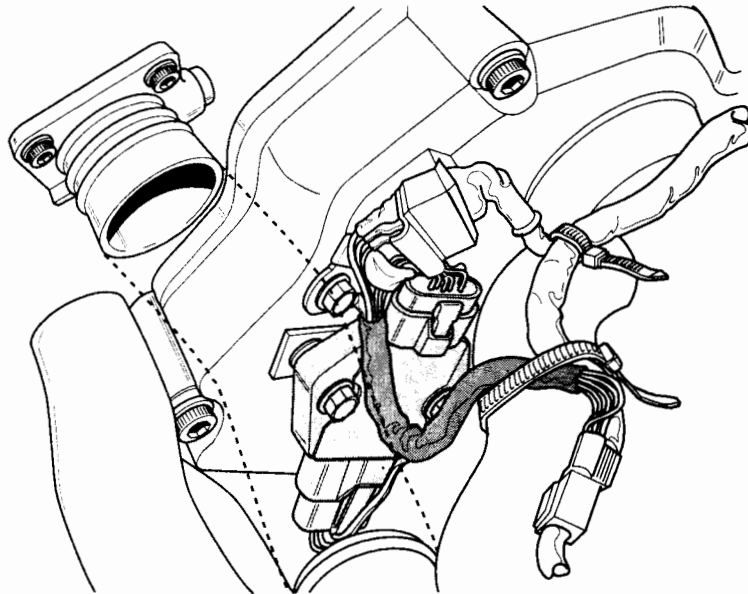


1. Open the Hood.
2. Remove the air ducting to the throttle body.
3. Disconnect the power transistor harness connectors.
4. Remove the four bolts holding the power transistor to the timing belt cover.



5. Install the new power transistor bracket.
6. Install the new power transistor.

7. Connect the power transistor sub harness connectors to the existing engine harness connectors for the old power transistor.



8. Secure the harnesses into the clip on the timing belt cover. Tie wrap the other harness to the upper radiator hose as shown in the illustration above. Do Not over tighten the tie wrap on the radiator hose, as this will restrict coolant flow.

NOTE: Keep clearance at least 5 mm between the air duct and the clip/sub-harness. Keep clearance of at least 5 mm between connector and hood support rod.

9. Install air duct to throttle body.
10. Close the hood.

PARTS INFORMATION

Description	Part #	Quantity
Kit, Power Transistor	22020-97E25	1

WARRANTY INFORMATION

Operation	OP Code	PNC	CS	CT	FRT
R&R Power transistor	P41200	P4120	ZZ	99	0.3 HRS

OWNER LETTER

Dear Nissan 300ZX Owner:

As a result of our continuous monitoring efforts, Nissan has determined that the power transistor unit in the ignition system may have an electrical problem that could cause poor driveability and/or rough idle in your 300ZX.

To ensure that you are not inconvenienced by an occurrence of this incident, please make an appointment with your Nissan dealer today. He will replace the power transistor at no charge to you. The repair will take less than an hour, but your dealer's schedule may require that you leave your 300ZX for a greater length of time.

Please bring this notice with you when you keep your service appointment. Instructions have been sent to your Nissan Dealer. If the Dealer fails, or is unable to make the necessary repairs at no charge to you, you may contact the National Consumer Affairs Office, Nissan Motor Corporation U.S.A. at P.O. Box 191, Gardena, California 90248-0191. The toll-free telephone number is 1-800-NISSAN 1 [1-800-647-7261]. If you reside in Hawaii, please call (808) 836-0888.

We apologize for any inconvenience this may cause, but we want to ensure that your 300ZX does not experience this incident. Your long term satisfaction with your Nissan is of the utmost importance to us.

NISSAN MOTOR CORPORATION, U.S.A.
Technical Compliance Department